

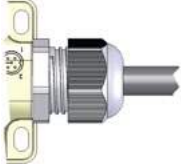





DeviceNet Series Junction Blocks

10 Port, 5 Conductor DeviceNet Series Junction Blocks

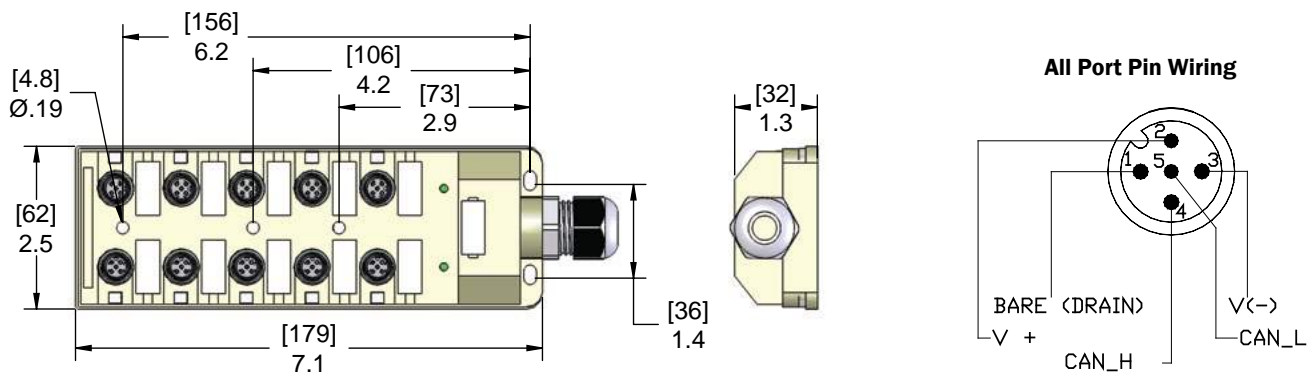


Junction Blocks | No Electronics | 10 Port, 5 Conductor | 300 Volt, 8 amps | IP67 Rating

Trunk Style	UL Rating	Trunk Connection	Part Number
	N/A	Gray PVC AWM With Braided Shield 2 X 15 AWG 2 X 18 AWG 1 x 18 AWG (Drain) 11.2mm OD	JDN-050-005-C**
	N/A	M12 5 Pole Male Receptacle	JDN-050-005-E000
	N/A	MIN Size I 5 Pole Male Receptacle	JDN-050-005-M000
 0.3m Shown	N/A	DeviceNet MIN Size I 5 Pole Male Plug	JDN-050-005-M***

** Lengths in meters. Standard cable lengths are 0.3, 2, 5 & 10 meters. Consult factory for other lengths.

*** Standard length for junction blocks with cable & plug is 0.3m with male threads on the plug. Cable & plug lengths longer than 0.3m will have female threads.



Specifications:

Housing:	Polypropylene	Gasket:	NBR
Insert:	Polyamide	Temperature:	-40°C to 70°C (-40°F to +158°F)
Contacts:	Copper Alloy with Gold Plating		

K

DeviceNet